



# Vegetable Slicer Cutter Slicer - 7 QT - Variable Speed

ITEM # \_\_\_\_\_  
 MODEL # \_\_\_\_\_  
 NAME # \_\_\_\_\_  
 SIS # \_\_\_\_\_  
 AIA # \_\_\_\_\_



600520 (K70YVVU)

Vertical Cutter/Mixer, bench-style, variable speed (300-3700 RPM), 7.4 quart capacity bowl, removable bowl design, stainless steel bowl with clear BPA-free lid, microtooth blade rotor, stainless steel housing, 300-3300 RPM, 2 HP, 120v/60/1-ph, 15.0 amps (

### Short Form Specification

**Item No.** \_\_\_\_\_

Vertical Cutter/Mixer, bench-style, variable speed (300-3700 RPM), 7.4 quart capacity bowl, removable bowl design, stainless steel bowl with clear BPA-free lid, microtooth blade rotor, stainless steel housing, 300-3300 RPM, 2 HP, 120v/60/1-ph, 15.0 amps (replaces discontinued PNC 603364)

### Main Features

- Emulsifier function (scraper) included as standard.
- All parts in contact with food are removable without the use of tools, completely dismountable and dishwasher safe.
- Pulse function to coarse chopping.
- Base fixed cover for a better handling.
- Delivered with:-7.4 qt stainless steel cutter bowl, transparent lid, scraper and microtoothed blade rotor.
- Capacity:-cutter mixer working capacity from 5.3 ounces (150 g) to 6.6 lbs (3.5 kg), for 50-150 meals per service.

### Construction

- Stainless steel bowl has a high chimney to ensure high productivity also when processing liquids (75% of the nominal capacity).
- IPX5 (IP55) flat panel touch-control, watertight panel.
- Compact and portable design.
- Asynchronous industrial motor with no brushes for high reliability and quiet functioning, stainless steel motor shaft.
- Improved ventilation system to manage smoothly heavy duty use.
- Reinforced feet to withstand the repeated handling of the unit.
- Food processing at 10 variable speeds: 300-3700 rpm.
- Power: 2 HP.

### Included Accessories

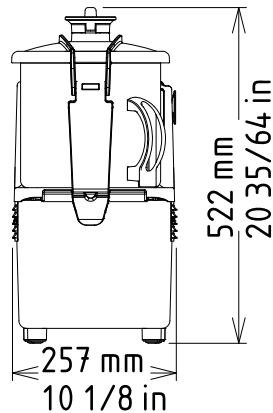
- 1 of Lid & bowl scraper, 7.4 quart, PNC 650104 for cutter/mixer
- 1 of Bowl, 7.4 quart, for cutter/ PNC 653593 mixer, stainless steel

### Optional Accessories

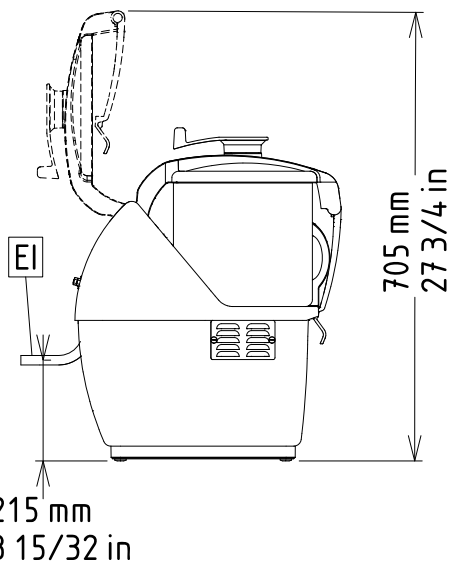
- Lid & bowl scraper, 7.4 quart, for PNC 650104  cutter/mixer
- Bowl, 7.4 quart, for cutter/mixer, PNC 653593  stainless steel

APPROVAL: \_\_\_\_\_

Front

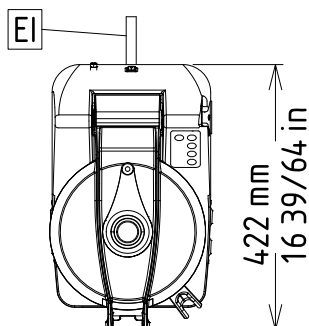


Side



EI = Electrical connection

Top


**Electric**
**Supply voltage:**

600520 (K70YVVU)

110-120 V/1N ph/60 Hz

**Electrical power, max:**

1.5 kW

**Plug type:**

USA NEMA 5-15P

**Key Information:**
**External dimensions, Width:** 10 1/16" (256 mm)

**External dimensions, Depth:** 16 5/8" (422 mm)

**External dimensions, Height:** 20 9/16" (522 mm)

**Shipping width:** 11 13/16" (300 mm)

**Shipping depth:** 23 5/8" (600 mm)

**Shipping height:** 21 5/8" (550 mm)

**Shipping weight:** 60 lbs (27 kg)